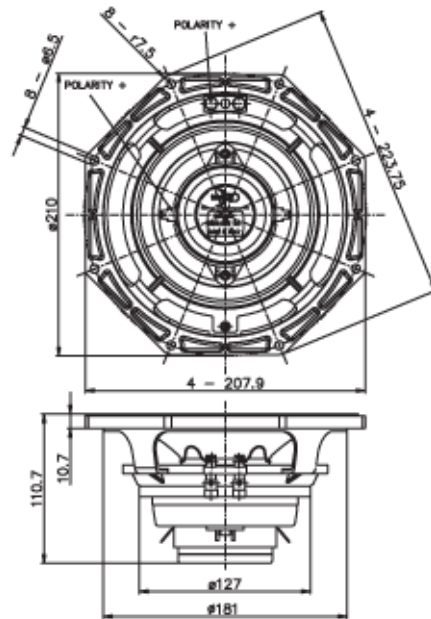




8HX200 Coaxial loudspeakers



NOMINAL SPECIFICATIONS

Nom. Diameter	200 mm (8 in)	
Overall Diameter	223.75/207.9 mm (8.81/8.19 in)	
Bolt Circle Diameter	210 mm (8.27 in)	
Baffle Cutout Diameter	183 mm (7.20 in)	
Depth	110.7 mm (4.36 in)	
Flange and Gasket Thickness	10.7 mm (0.42 in)	
Net Weight	2.7 Kg (5.95 lb)	
Shipping Box	246x246x150 mm	
(Single Carton Box)	(9.69x9.69x5.91 in)	
Shipping Weight	3.4 Kg (7.50 lb)	

THIELE & SMALL PARAMETERS

Fs	76 Hz	
Re [LF]	5.5 Ohm	
Re [HF]	5.5 Ohm	
Qes	0.31	
Qms	10.5	
Qts	0.3	
Vas	12.6 dm ³ (0.44 ft ³)	
Sd	211 cm ² (32.71 in ²)	
Xmax *****	4.92 mm	
Xdamage *****	10.2 mm	
Mms	22 g	
Bl	13.7 N/A	
Le	0.51 mH	
Mmd	20.3 g	
Cms	0.2 mm/N	
Rms	1 Kg/s	
Eta Zero	1.74 %	
EBP	245 Hz	

TECHNICAL PARAMETERS

	[LF]	[HF]
Nom. Impedance	8 Ohm	8 Ohm
Minimum Impedance	6.6 Ohm	6.9 Ohm
Nom. Power Handling *	250 W	30 W
Max Power Handling **	500 W	60 W
Sensitivity (1W/1m) ***	95 dB	107 dB
Frequency Range	75÷4000 Hz	1500÷20000 Hz
Voice Coil Diameter	65 mm (2.50 in)	37 mm (1.46 in)
Winding Material	Al	Al
Former Material	Glass Fiber	Kapton
Winding Depth	12.5 mm (0.49 in)	2.1 mm (0.08 in)
Magnetic Gap Depth	8 mm (0.31 in)	2.6 mm (0.10 in)
Flux Density	1.2 T	1.85 T
Min. Cross. Freq. ****	-	1700 Hz
Dispersion Angle	-	90°
Diaphragm Material	-	Ketone Polymer
Diaphragm Shape	-	Annular

NOTES

[Al] demodulation ring for reduced total harmonic distortion

(*) 2 Hours Test According to AES 2-1984 Rev. 2003

(**) Maximum power is defined as 3dB greater than nominal power.

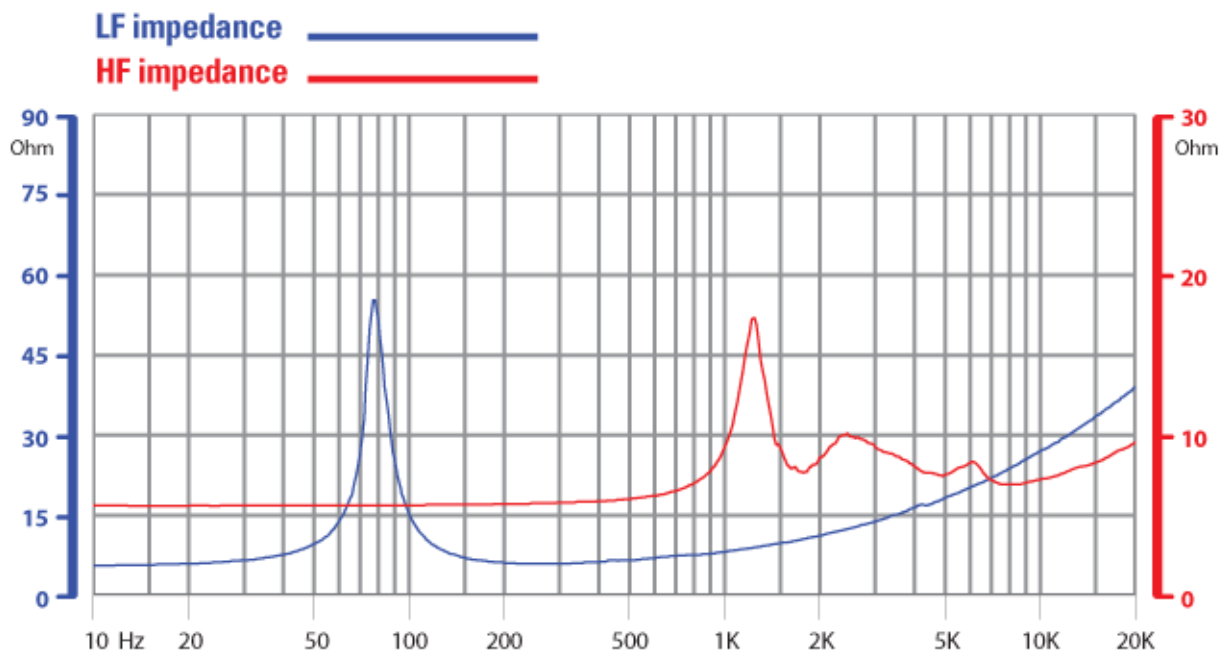
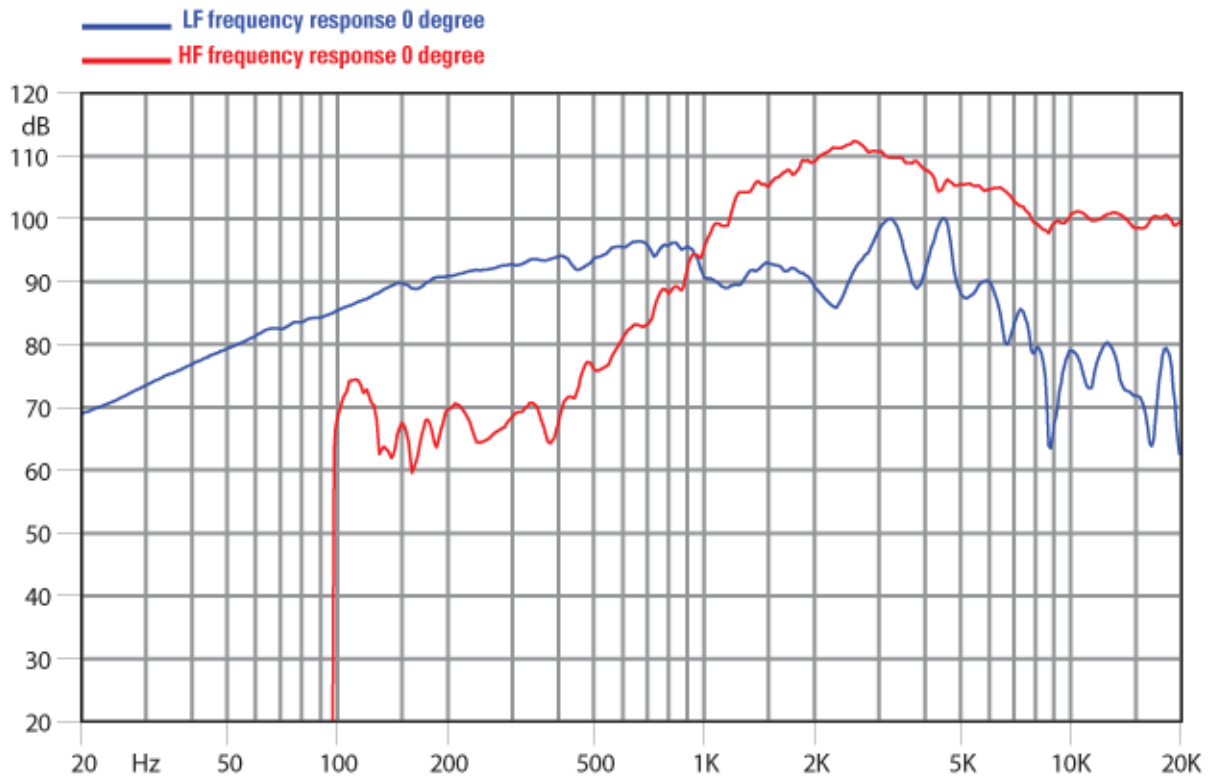
(***) HF Sensitivity averaged within the frequency range

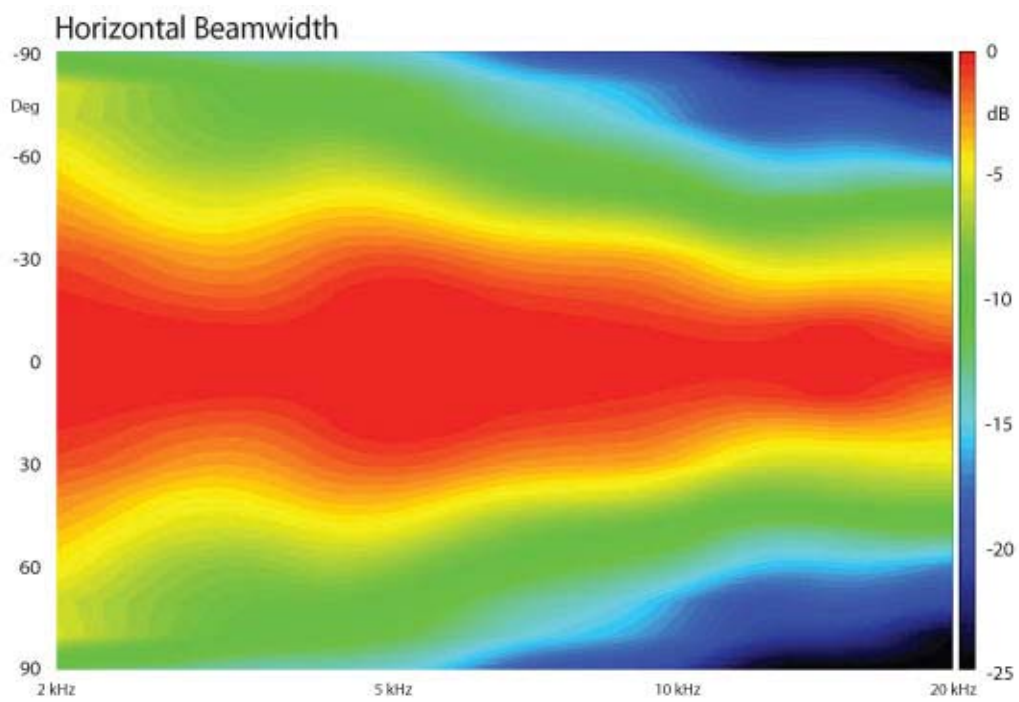
(****) 12 dB/oct or higher slope high-pass filter

(*****) Xmax = [(winding depth - magnetic gap depth) / 2] + (magnetic gap depth / 3)

(*****) Maximum excursion before permanent damage

CURVES





©Copyright 2007 - Faisal S.p.A. Fabbrica Italiana Altoparlanti - All right reserved.